

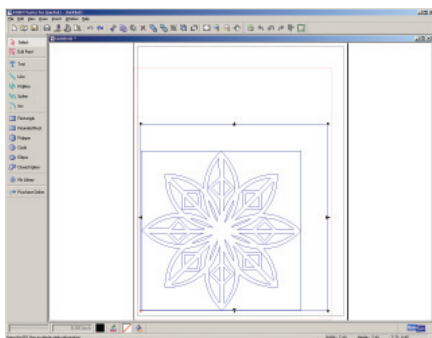
**FOR A COMPLETE SILHOUETTE USER'S MANUAL:**

Go to [www.quickutz.com/silhouette/support](http://www.quickutz.com/silhouette/support) and click on Silhouette User's Manual

## Addendum to Step 14

(on page 12 in the Basic Instruction Guide)

It is important to note that designs in your Silhouette software document will cut upside down in the Silhouette.



Regardless of the paper size you use within the software, always place your design in the lower left of the cutting area (marked by thin red lines). This will ensure proper cutting and reduce wasted paper.

With the design in the lower left area of the software document, you are ready to place paper on the Cutting Mat.

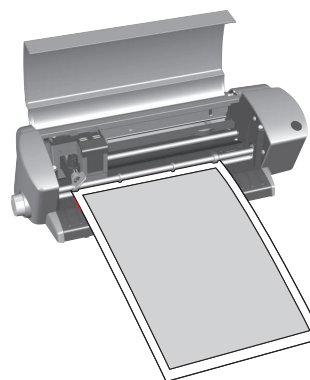
The default setting for documents is Letter size (8½" x 11").

Follow the instructions on the next page for creating custom settings for different size of paper.

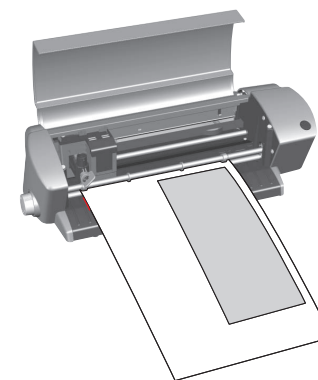
### *How to position paper or cardstock on the Cutting Mat:*

Remove the center protective lining from the Cutting Mat and set aside. Place paper or cardstock over the adhesive side of the cutting mat, **all the way to the top and flush to the right side** (do not overlap the remaining protective lining).

The pattern or textured side of the paper should be face up.



Proper placement of 8½" x 11" cardstock or paper




Proper placement of QuickStripz (4" x 8") cardstock

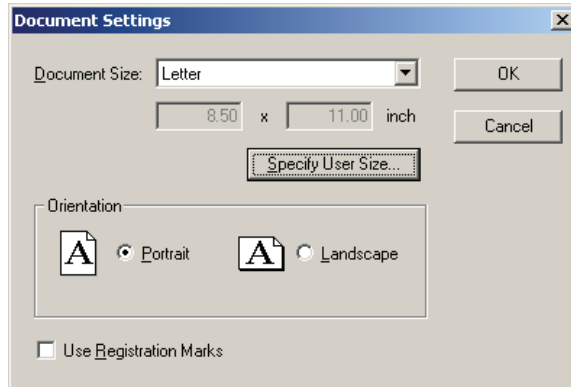
Insert the Cutting Mat into the Silhouette as shown in the instruction guide. When finished, replace the protective liner on the cutting mat.

### How to create custom paper settings:

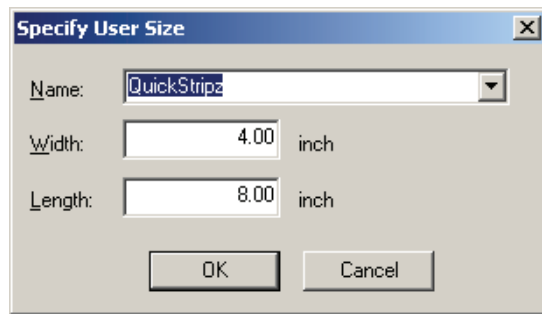
Letter (8½" x 11") is the default Document Size for the Silhouette.

**Custom paper settings** are easy to create. Follow these instructions to create a custom paper setting for **4" x 8" QuickStripz**.

1. Open ROBO Master Software.
2. Click the new file button  on the left side of the toolbar.
3. A Document Settings Window will pop up. The default setting is Letter size (8½" x 11"). Click "Specify User Size" to create a custom paper size setting.



4. Another window will pop up. Enter the following information for 4" x 8" QuickStripz:



5. Click "OK".
6. Click "OK" again on the next screen to exit Document Settings.  
The cutting area, marked by thin red lines, will reflect your updated cutting area.

The next time you open a new document you will be able to select any of the default or custom settings.

**NOTE:** Changing the paper orientation (Portrait or Landscape) does not affect how you lay the cardstock onto the Cutting Mat.

### Silhouette™ Digital Craft Cutter Requirements

- Operating System: Windows 2000, XP or Vista
- Minimum Ram: 128 MB RAM (256 MB recommended)
- Minimum Hard Drive space: 550 MB
- Minimum Processor Type and Speed: Pentium III, 600 MHz or faster
- CD-ROM Required
- CD Speed: 8x or faster
- Video Display: 1024 x 768 High color (True Color recommended)
- Internet Connection (Required to download additional Digital Designs)